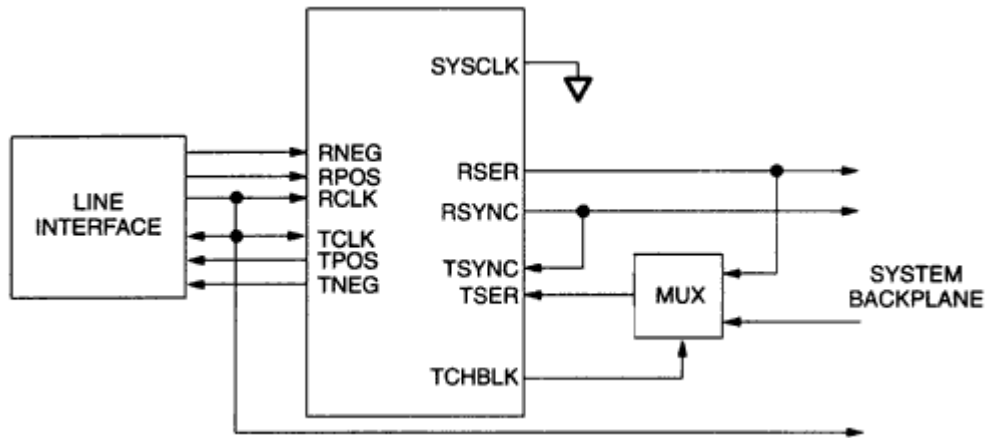


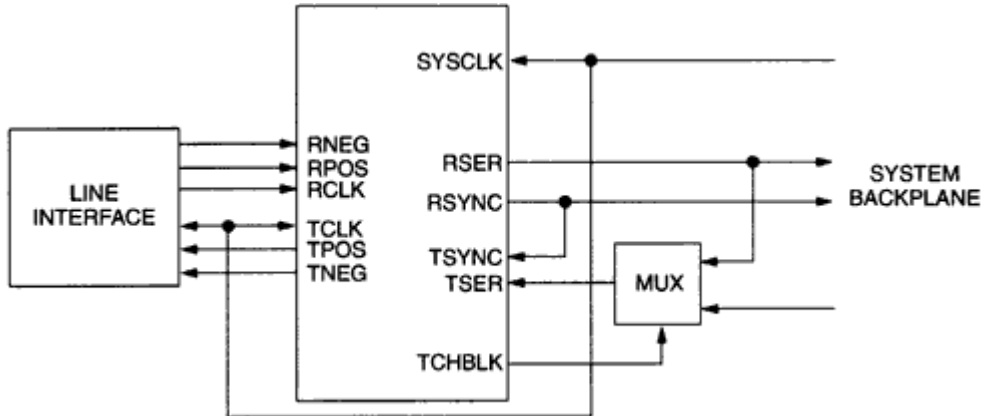
**App Note 314: DS2141A, DS2142, DS2151, DS2153 Per-Channel Loopback**

Application Note 314 provides the design requirements for implementing a per-channel loopback application using the Dallas Semiconductor/Maxim DS2141A, DS2142, DS2151, or DS2153.

**With Elastic Store Disabled**  
DS2141A/DS2143/DS2151/DS2153



**With Elastic Store Disabled**  
DS2141A/DS2143/DS2151/DS2153



**Notes:**

1. The TCHBLK signal is used to control a 2:1 multiplexer which will select which channels (if any) are to be lopped back to the network.
2. In DS2151 and DS2153 applications, the line interface is included onboard the devices.

## **MORE INFORMATION**

DS2141A: [QuickView](#) -- [Full \(PDF\) Data Sheet \(480k\)](#) -- [Free Sample](#)